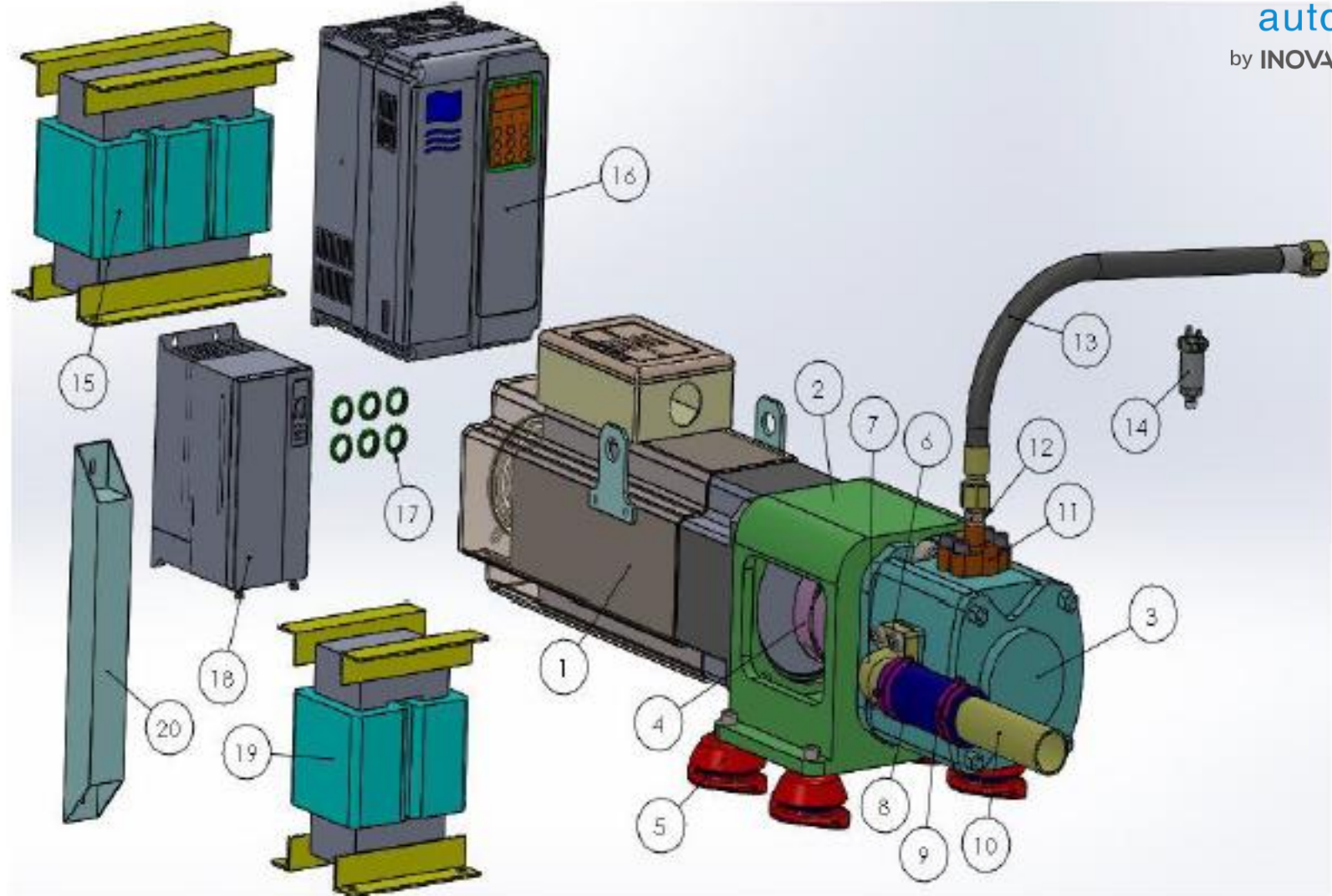


ServoPump Package – Supply Scope



automation
by INOVANCE technology

Item	Description
1	Servo Motor
2	Bracket
3	Pump
4	Coupling
5	Silence Cushions
6	Inlet Flange
7	Connecting Pipe
8	Flexible Pipe
9	Binding Ring
10	Inlet Extension Pipe
11	Outlet Flange
12	Dual Male Connector
13	Outlet Pipe
14	Pressure Sensor
15	Input AC Reactor
16	Servo Drive
17	Magnetic Ring
18	Braking Unit (if needed)
19	External DC Reactor (if needed)
20	Braking Resistance



NOTE : Items 6 to 13 specification have to be provided by the customer and priced according to requirement

ServoPump Package – Supply Scope



automation
by INOVANCE technology

Motor and Pump



Pump



Bracket



Coupling



Motor



Pressure Sensor Cable



CAN Cable



Encoder Cable

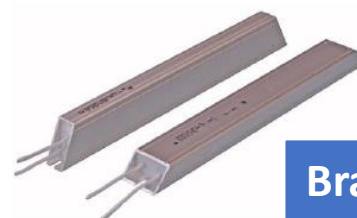


Magnetic Ring



AC reactor

Pressure Sensor



Brake Resistor